

## DR902 Door Release Button



(Door close)

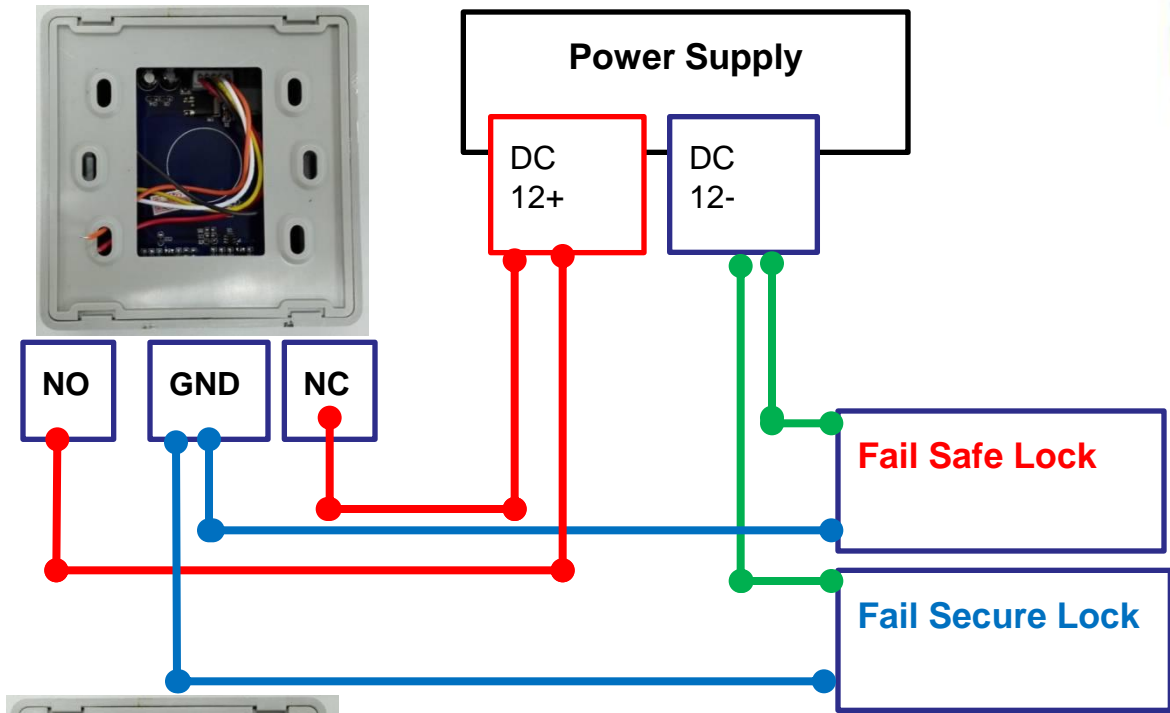


(Door open)

### Technical Specifications :

Dimensions:	DR902 ,86L x 86W (mm)
Current Rating:	2A@12VDC Max
LED Indicator :	Blue LED indicate POWER ON (Standby) Green LED indicate POWER ON (Sensation)
Operating Temp:	-10~+55°C (14-131F)
Suitable Humidity:	0~95% (Non-condensing)
Face Plate Material:	Plastic
Power Input:	DC12V
Weight:	0.1kg

## Door Release Button Connection



**Wiring and Installation  
with LOT Lock Power  
Supply**

