

## DR900W & DR900B Door Release Button



**DR900B**



**DR900W**

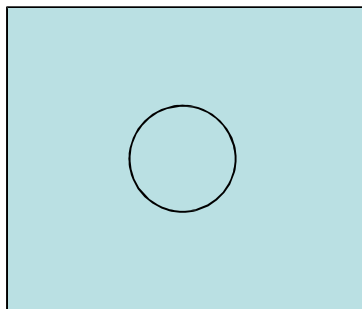
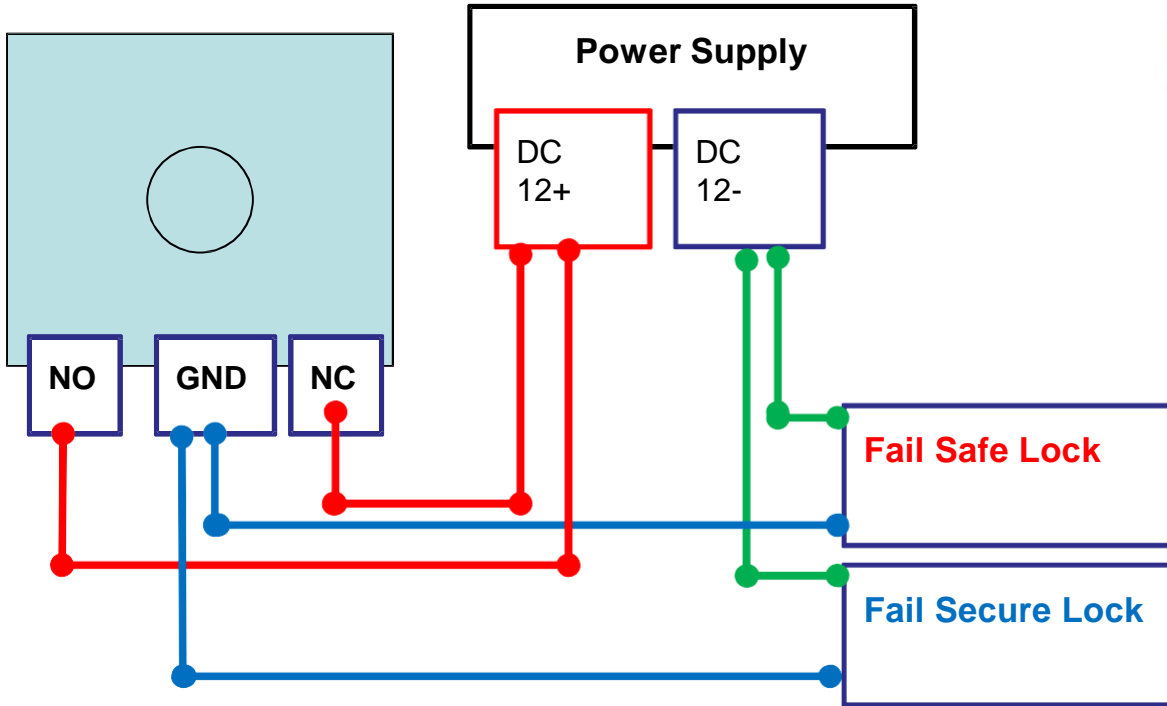


**Back Wire connection**

### Technical Specifications :

<b>Dimensions:</b>	DR900W White Color, DR900B Black Color 89L x 89W (mm)
<b>Current Rating:</b>	2A@12VDC Max
<b>Suitable For:</b>	NO (Fail Secure) and NC (Fail Safe) locks
<b>Operating Temp:</b>	-10~+55°C (14-131F)
<b>Suitable Humidity:</b>	0~95% (Non-condensing)
<b>Face Plate Material:</b>	Plastic
<b>Power Input:</b>	DC12V
<b>Weight:</b>	0.2kg

## Door Release Button Connection



**Wiring and Installation  
with LOT Lock Power  
Supply**

