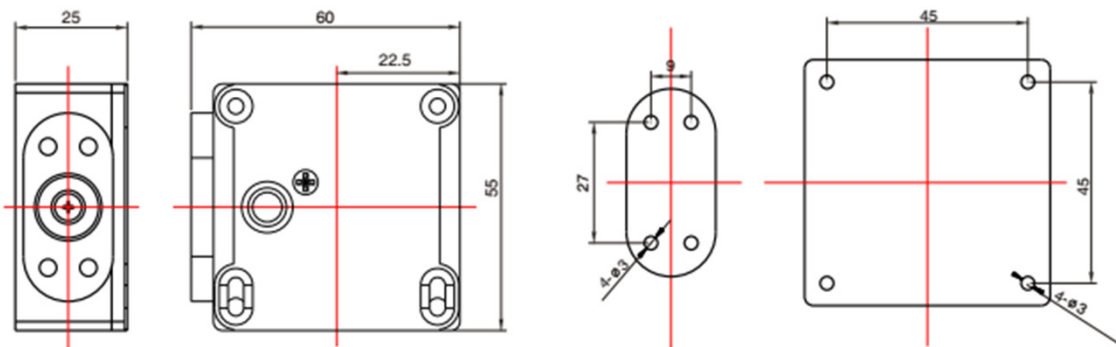


## LTX-CB03 Cabinet Lock



Outline dimensional drawing

Hole size

### Technical Specifications :

Lock Dimension:

Size : 55Lx55Wx25H (mm)

Pin Length : 18mm

Pin Diameter : 7mm

Voltage : DC12V

Current : 320mA

Weight : 0.1KG