

LTX-DH-106 Door Holder

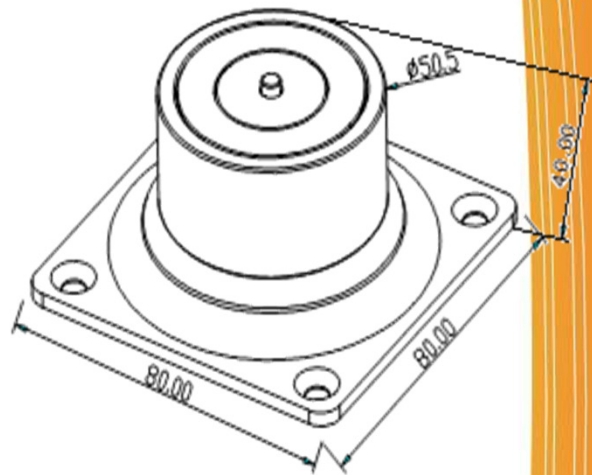
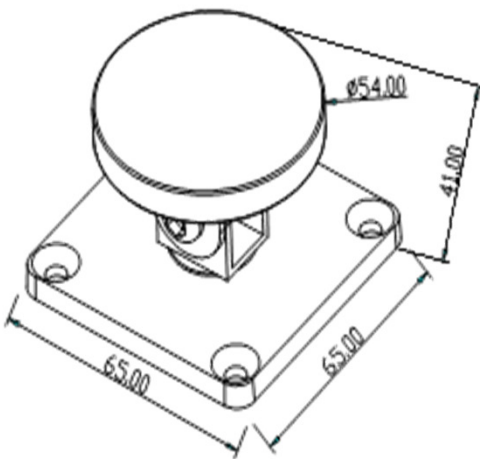


Technical Specifications :

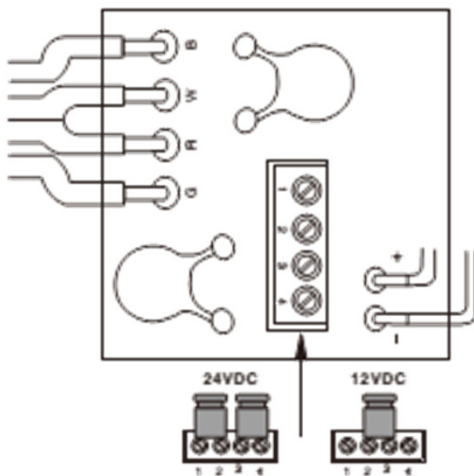
Dimensions:	80L x 80W x 40H (mm)
Holding Force:	50kg
Voltage:	12/24VDC \pm 10%
Current Draw:	12V/140mA, 24V/70mA
Suitable For:	Wooden Door, Fireproof Door
Operating Temp:	10 ~ +55°C (14-131F)
Working Humidity:	0~90% (Non-condensing)
Material For Shell:	Anodized Aluminium
Material For Magnetic:	High Temperature Paint Environmental Protect Zinc
Material For Armature:	Chromium
Weight:	0.8kgs

LTX-DH-106 Door Holder

Dimension



DC12/24 Selectable



Installation

