

## LTX-DH-602-L Door Holder

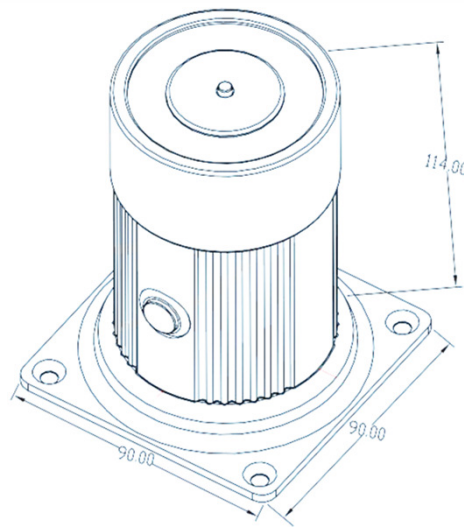
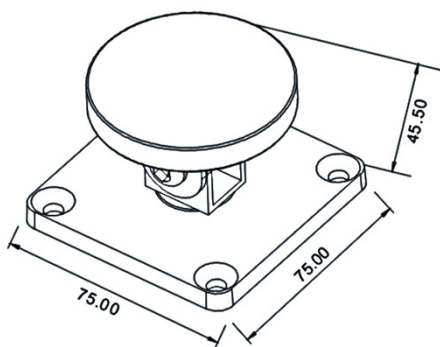


### Technical Specifications :

|                               |   |
|-------------------------------|---|
| <b>Dimensions:</b>            | 90L x 90W x 114 (mm)                              |
| <b>Holding Force:</b>         | 150kg   |
| <b>Voltage:</b>               | 24VDC/12VDC +/-10% (Selective)                    |
| <b>Current Draw:</b>          | 12V/140mA 24V/70mA                                |
| <b>Suitable For:</b>          | Wooden Door, Fireproof Door                       |
| <b>Operating Temp:</b>        | 10 ~ +55°C (14-131F)                              |
| <b>Working Humidity:</b>      | 0~90% (Non-condensing)                            |
| <b>Face Plate:</b>            | Stainless Steel                                   |
| <b>Material For Magnetic:</b> | High Temperature Paint Environmental Protect Zinc |
| <b>Material For Armature:</b> | Chromium  |
| <b>Weight:</b>                | 1.6kg   |

## LTX-DH-602-L Door Holder

### Dimension



### Installation

#### Remarks:

1. The default setting is 24VDC.
2. If user want to connect with 12VDC, operating as below:  
(1) Pull those two jumpers out. It is showed 4 pins here.  
(2) To set up 12VDC, insert one jumper on the position of 1 and 2, second jumper on the position of 3 and 4.

