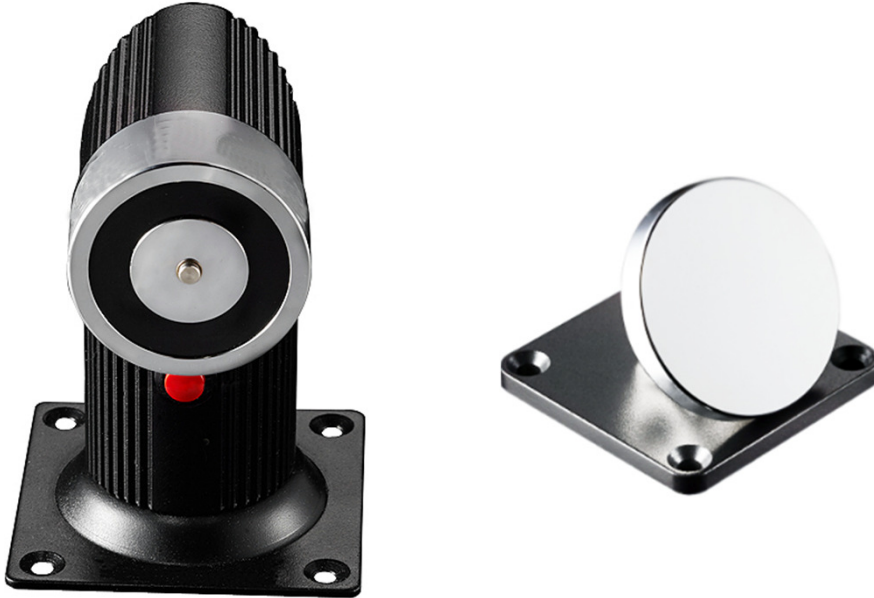


LTX-DH-606F Floor Mount Door Holder

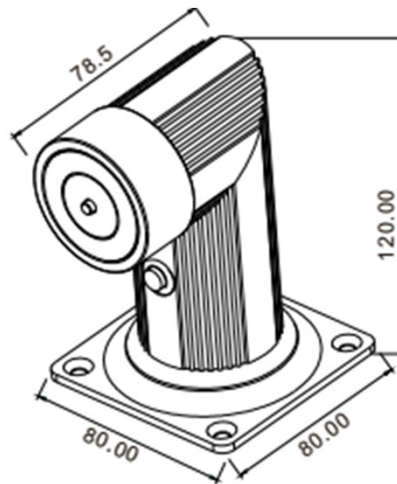
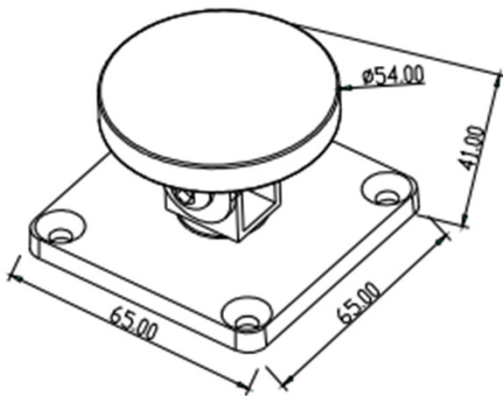


Technical Specifications :

Dimensions:	80L x 80W x 120\ (mm)
Holding Force:	50kg
Voltage:	24VDC/12VDC +/-10% (Selective)
Current Draw:	12V/140mA 24V/70mA
Suitable For:	Wooden Door, Fireproof Door
Operating Temp:	10 ~ +55°C (14-131F)
Working Humidity:	0~90% (Non-condensing)
Face Plate:	Stainless Steel
Material For Magnetic:	High Temperature Paint Environmental Protect Zinc
Material For Armature:	Chromium
Weight:	1.1kg

LTX-DH-602-L Door Holder

Dimension



Installation

Remarks:

1. The default setting is 24VDC.
2. If user want to connect with 12VDC, operating as below:
(1) Pull those two jumpers out. It is showed 4 pins here.
(2) To set up 12VDC, insert one jumper on the position of 1 and 2, second jumper on the position of 3 and 4.

