



SPECIFICATION AND TECHNICAL DETAILS

Model : ES710 NC

Dimensions : 165mm x 38mm x 44mm

Voltage : DC12V

Current : 200mA/DC12V

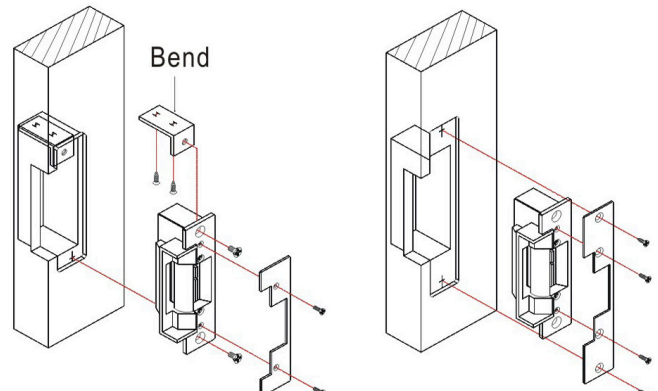
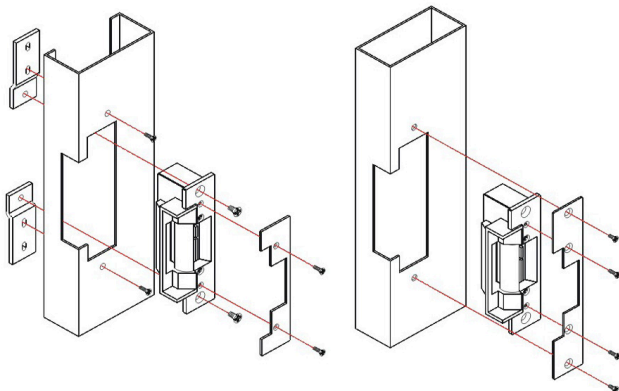
Face Plates : Stainless Steel



■ INSTALLATION

Stainless steel or Aluminum door frame

Wooden door frame



Face plate: Aluminum

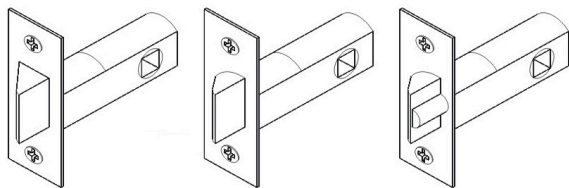
Face plate: Stainless steel

Face plate: Aluminum

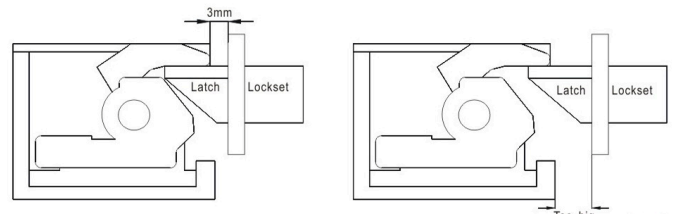
Face plate: Stainless steel

■ APPLICATIONS

APPLICATION REQUIREMENT : SUITABLE FOR DOOR THICKNESS : 30mm-40mm



LATCH TYPE



ALLOWABLE LATCH CAVITY

Web Site : <http://www.locktronixUSA.com> www.jackwell.com

