

EB230 Installation Manual

1. SPECIFICATIONS

STANDARD VOLTAGE: 12VDC 0.9Amp

RED POSITIVE(+)

BLACK GROUND(-)

REVERSE POLARITY PROTECTION

SOLENOID: CONTINUOUS DUTY

CURRENT: START 950mA, STANDBY 100mA.

AUTOMATIC DEADBOLT: STANDARD ON ALL MODELS

AUTO RELOCK JUMPER: ADJUSTABLE(FROM 0 TO 9SECONDS)

**FAIL SAFE: LOCKED WHEN ENERGIZE (POWER TO
LOCKED FAIL UNLOCKED).**

BOLT: 16mm DIA. STAINLESS STEEL 16mm THROW.

**CUTOUT: SIZE 210mmLx35mmW(A42mrn Backset
minimum must be present)**

COVER PLATE: SIZE 215mmLx42mmWx 0.8mmD .

FACE PLATE: SIZE 210mmLx 35mmWx 3EnrnD.

STRIKE: SIZE 90mmL x 24mmWx 27-nmD.

MOUNTING HARDWARE: 2PC. EXT. PLATE.

4PC. M4 x 20 LONG SCREWS

2PC. M5 x 11 LONG SCREW 0.8KGS

WEIGHT: 0.8KGS

2. OPTIONS

SIGNAL:

SL----- LOCK SENSOR:INDICATES BOLT LOCKE OR UNLOCKED.

GREEN: COMMON

YELLOW: NORMALLY CLOSED

SD -----DOOR STATUS SENSOR: INDICATES DO R OPEN OR CLOSED.

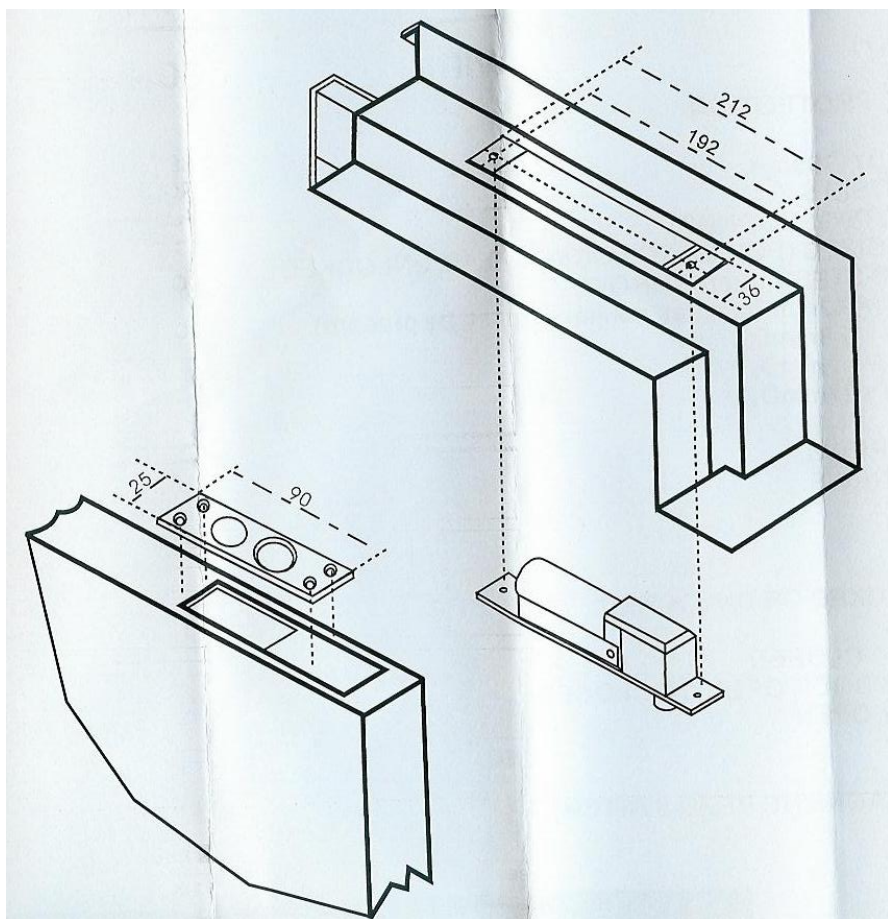
YELLOW: NORMALLY OPEN

GREEN: COMMON

SWITCH DATA:SL---→ SPOT 1.0amp. 30VAC/DC.

SD --→SPDT 0.5amp. 30V AC/DC (MAGNETIC PEED SWITCH).

EB230 Installation Manual



WIRING INSTRUCTION

