

EM560D Magnetic Lock Wiring Instructions

A. 12VDC Input:

Required power 0.5Amp(Minimum).

Connect the positive (+)lead from a 12VDC power source to terminal +

Connect the ground(-)lead from a 12VDC power source to terminal -.

Check jumper for 12VDC operation.

B. 24VDC Input:

Required power 0.5Amp(minimum).

Connect the positive (+)lead from a 24VDC power source to terminal +

Connect the ground(-)lead from a 24VDC power source to terminal -.

Check jumper for 24VDC operation.

C. Contacts:

Relay dry contacts are rated 1 Amp at 24VDC for safe operation , do not exceed this rating.

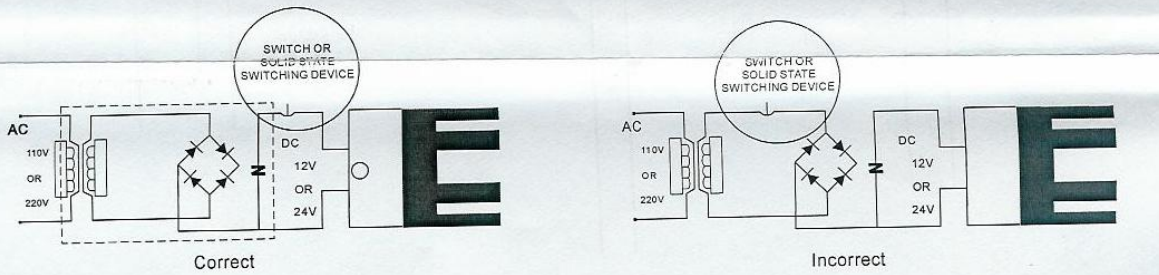
If you require a normally open switch , connect the wires from the system to terminal COM and terminal NO.

If you require a normally closed switch , connect the wires from the system to terminal COM and terminal NC.

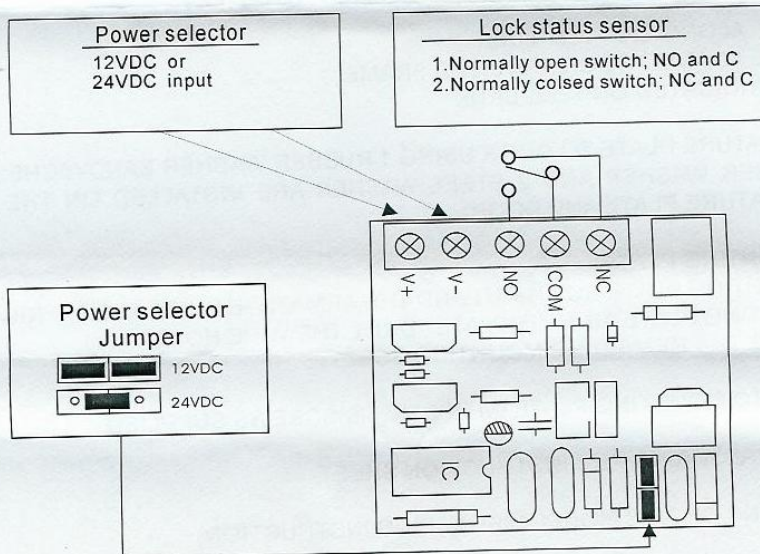
Important!

If power switch is not wired between DC source voltage and magnet , it will take a longer time to de-energize the magnet simulating residual magnetism. (see below)

EM560D Magnetic Lock Wiring Instructions



Printed Circuit Board Schematic



EM560D Magnetic Lock Wiring Instructions

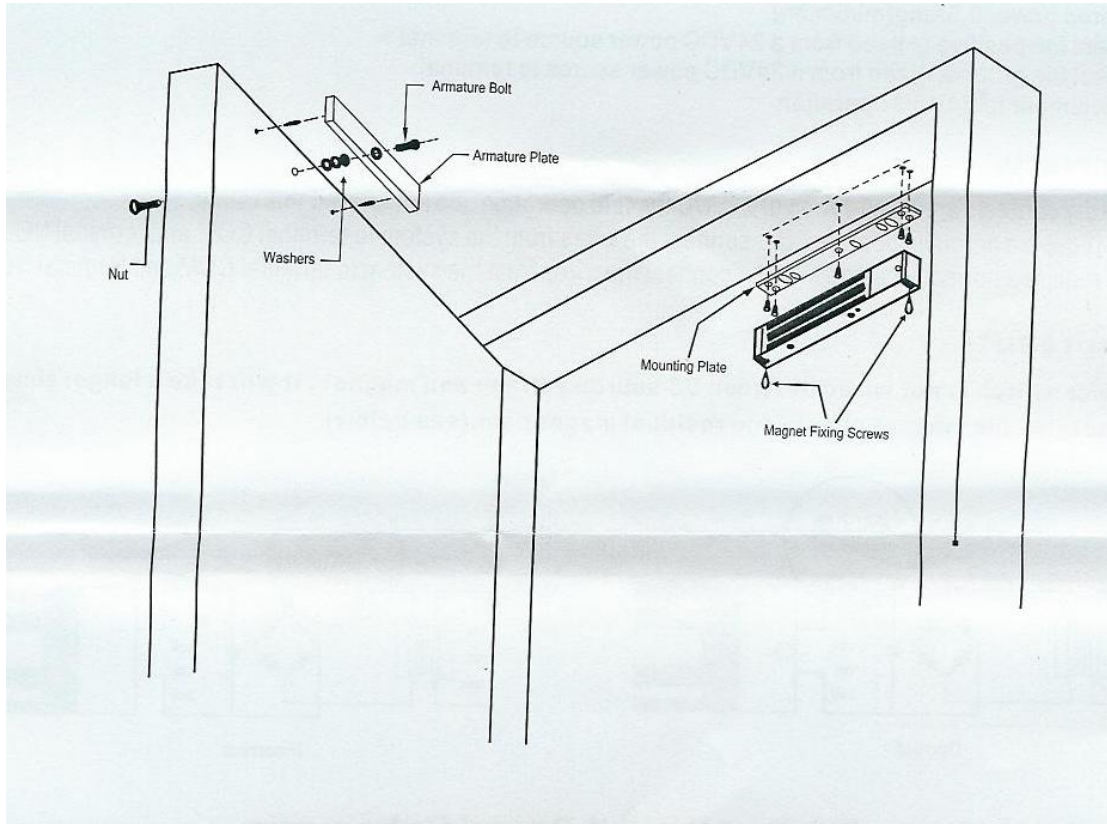
Important: Please Read Before Attempting To Install Magnetic Lock

- A. Handle the equipment with care, damaging the mating surfaces of the magnet or armature plate may reduce locking efficiency.
- B. The magnet mounts rigidly to the door frame ,the armature plate mounts to the door with hardware. Kit provided that allows it to pivot about its center to compensate for door wear and misalignment.
- C. Template use must take place with door in its normally closed position.
- D. Before installing ,please add thread locker to all screws . Firmly tighten screws to avoid fastening loosen.

Typical Installation:

** Important: Fix the armature plate not too tightly ,and make the rubber washer more flexible, in order to make the armature plate automatically adjust its proper position with the magnet.

EM560D Magnetic Lock Wiring Instructions



MOUNTING INSTRUCTION

STEP 1

- FOLD TEMPLATE ALONG DOTTED LINE.
- PLACE TEMPLATE AGAINST DOOR AND HEAD FRAME.
- DRILL HOLES AS INDICATED ON TEMPLATE.

STEP 2

- MOUNT THE ARMATURE PLATE TO DOOR USING 1 RUBBER WASHER SANDWICHED BETWEEN 2 STEEL WASHER (THE RUBBER WASHER AND 2 STEEL WASHER ARE INSTALLED ON THE THROUGH SEXNUT BETWEEN THE ARMATURE PLATE AND DOOR).

STEP 3

- INSTALL THE MOUNTING PLATE
- ADJUST THE MOUNTING PLATE SO THAT IT AND THE ARMATURE PLATE FORM A RIGHT ANGLE.
- USING THE MOUNTING PLATE AS A TEMPLATE , DRILL THE WIRE HOLE.
- DRILL AND INSTALL THE REMAINING MOUNTING SCREWS

STEP 4

- INSTALL MAGNET TO MOUNTING PLATE WITH 2 M4(M6)SCREWS SUPPLIED.

STEP 5

- INSTALL ELECTRICAL WIRING PER INSTRUCTION SHEET.

STEP 6

- TEST ALL FUNCTIONS OF THIS MODEL (SEE WIRING INSTRUCTION)