

RS485 Fiber Converter User Manual

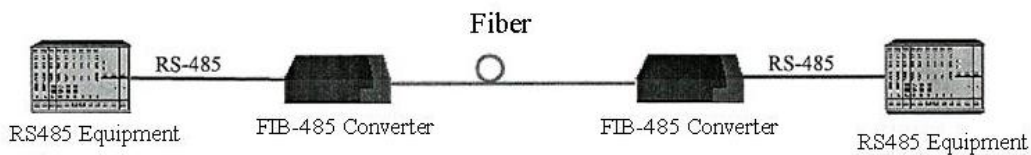
FIB485S01 Converter for to make the RS485 and Fiber signal together. Converter Support different connection type, the distance support 25KM, for fiber connection support to 2KM range. Support DC-115.2kps frequency, fiber is using SC type, easy to install and connection. The converter design for industrial type, high speed connection, telecom equipment.

Technical Data

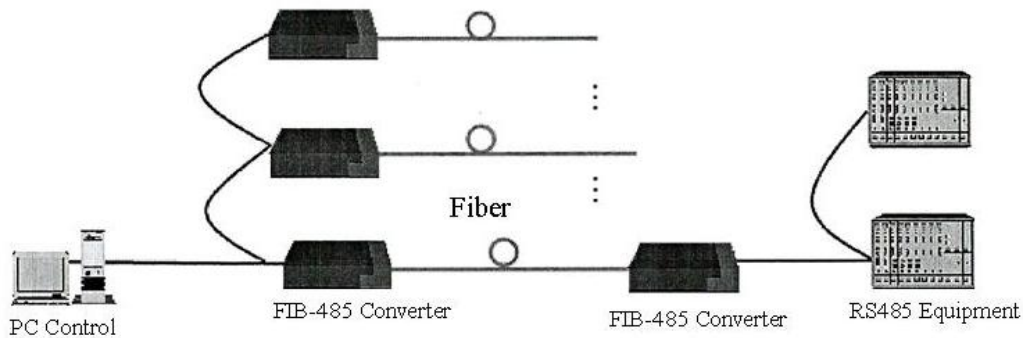
Data Connection	: RS485 Signal
RS-485 physically connector point	: Industrial Type
RS-485 transfer rate	: DC115.2Kbps
BER	: 10e-9
Size	: 70(L) x 76(W) x 24(H) mm
Connector	: SC Type
Range	:25K meters

RS485 Fiber Converter User Manual

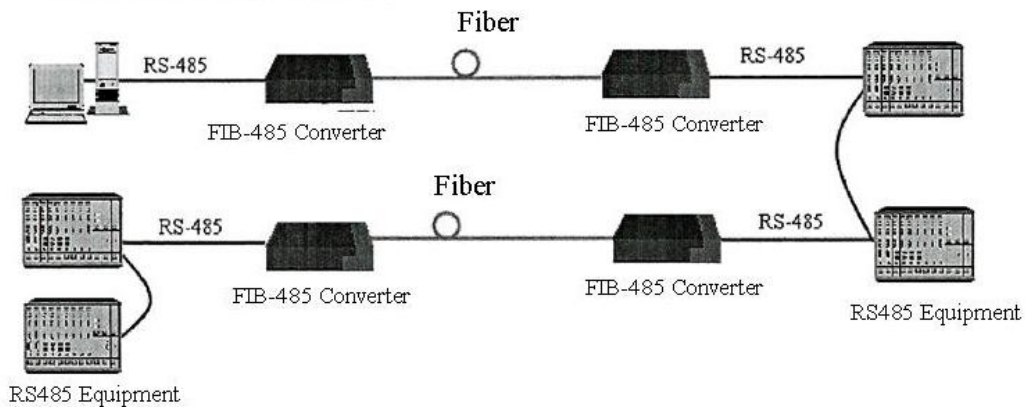
1. Wiring Diagram Single Connection Type



2. Wiring Diagram Star Connection Type



3. Wiring Diagram with Repeater

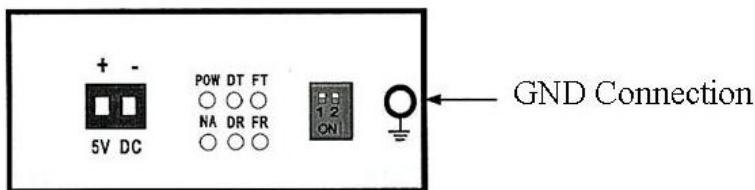


RS485 Fiber Converter User Manual

Front Panel



Left Side Panel



Power Input

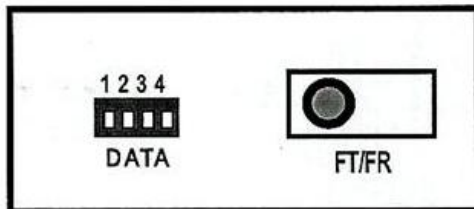
+: DC5V “+”
 -: DC5V “-”

Light Indication

POW : Power	When Power Connect Light will On
DT : RS485 Received	When Data Transmit Light will Flash
DR : RS485 Transmit	When Data Received Light will Flash
FR1 : Fiber Connection	When Fiber Transmit Data Light will Flash
FR1 Fiber Connection	When Fiber Received Light will Flash

RS485 Fiber Converter User Manual

Left Side Panel



FT/FR : Fiber Point

DATA : RS485 Connection

DATA : Data Jumper setting

1	_____	RS485+	RS485 Received “+”
2	_____	RS485-	RS485 Transmit “-”
3	_____	Empty	
4	_____	Empty	

Installation

1. POWER OFF before connection
2. Connect with the right connector
3. Fiber local connect with FR/FR connect point and remote for FT/FR connection point