

## KP41 User Manuel

### 1. Programmable Functions (Locktronix KP41 Manual)

Relay latching or momentary  
Relay activate independently or together  
Change Codes 1 master, 1000 users & proximity cards (KP41)  
Door open detection

### 2. Programmable Timers

Door relay time 00-99 seconds  
Alarm time 00-99 minutes

### 3. Wiring Connections

Electric Lock  
External Bell  
External Push Switch  
Magnetic Contacts  
Alarm

### 4. Keypad:

12 keys, 1 Bell button

### 5. Programming memory:

Non volatile Eeprom memory

### IMPORTANT INFORMATION

There are no user serviceable parts contained within the KP41

If holes are to be drilled before mounting onto a wall, check for hidden cables and/or pipes before drilling. Use safety goggles when drilling or hammering in cable clips.

Every effort has been made to provide accurate information, however slight variations can occur. We also reserve the right to make changes for product improvement at any time

### NOTE

**PLEASE READ THESE INSTRUCTIONS CAREFULLY BEFORE ATTEMPTING TO INSTALL THE KP41.**

1. Attach the rear plate to a single or double gang electrical box or secure to the wall firmly with at least three flat head screws.

2. When wiring has been completed, attach the front cover to the rear plate.

## KP41 User Manual

Figure1

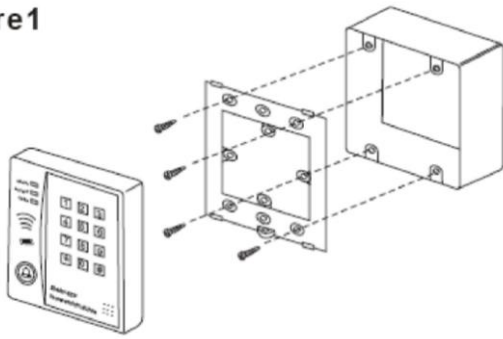
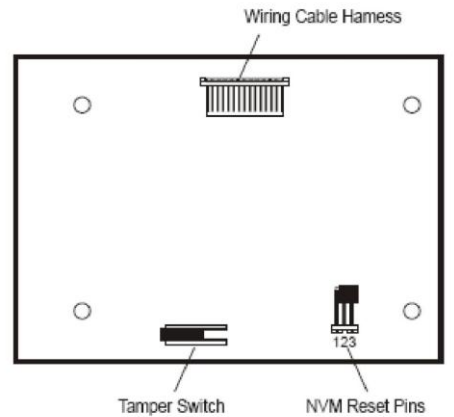


Figure2



1. Unplug the cable harness and connect the necessary cables, (See Figure 3).
2. Tape any wires that are unused.
3. Plug the cable harness, (See Figure 2)
4. Attach the front cover, (See Figure 1).

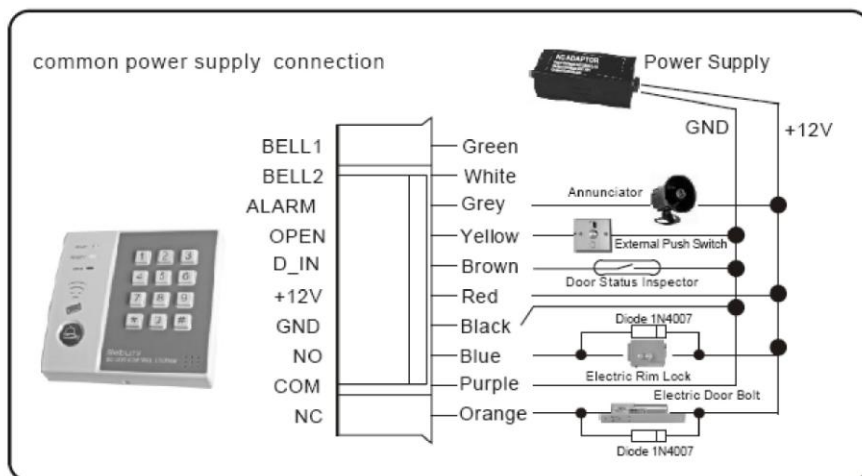
### Terminal Wire Connector 1 Function

BELL1	Green	Bell Push Button
BELL2	White	Bell Push Button
ALARM	Grey	Alarm
OPEN	Yellow	To Door Remote Control Button Then Negative
D_IN	Brown	To Door Contact Then To Door In
12V	Red	(+) 12Vdc Positive Regulated Power Input
GND	Black	(-) Negative Regulated Power Input
NO	Blue	Door Strike Relay N/O
COM	Purple	Door Strike Relay Com
NC	Orange	Door Strike Relay N/C

**Do Not Plug Adaptor Our Transformer Into Mains Until All Wiring Has Been Completed And The Front Cover Secured.**

## KP41 User Manual

Figure2



### Power Up

After all wiring is complete and the unit face plate is attached to the back plate, apply 12Vdc power to the unit. Ready LED illuminated and accept LED flashing.

### Engineer Programming Mode KP41

#### To enter programming mode

Press: \* 9999 # within 5 seconds, Ready and Accept LED illuminated, Open LED flashing.

#### Note

Press: # to save changes and exit engineer programming, when all programming has been completed otherwise changes will not be saved.

### Changing Master & User Codes KP41

In engineer programming mode:

#### To change Master code

Press: 0 new master code # re-enter new master code #

Upon acceptance Open LED illuminates and stops flashing.

Press \* after changing the master code, otherwise unit will disregard the new code and revert back to the factory default code.

Note: the master code must be 4-8 digit number.

## KP41 User Manuel

### Adding User Codes KP41

#### To Add User and User Codes KP41

Press: **1** user code # user identification #

Note: the user identification must be 3 digit number within 000-999 and the user door release must be 6 digit code.

### Adding User Codes & Cards KP41

#### To Add User cards & codes KP41

Press: **1** read card user identification #

Note: the user identification must be 3 digit number, if adding more than 1 card, read the next card after inputting the 3 digit code for the previous card, when you have finished adding all cards press the # key.

1st card must be 000 up to 999.

Then the KP41 control station added a user card it was auto added a user code with 1234.

### Delete User Code KP41

There are 3 options to delete a user card or cards, in engineering mode.

- a.) Press: **2** 0000 # to delete all user codes.
  - b.) Press: **2** user door release code # to delete used this door release code of all users.
  - c.) Press: **2** user identification number # to delete individual user
- Then press # again to exit engineer programming.

### Delete User Card or Cards KP41

There are 3 options to delete a user card or cards, in engineering mode.

- a.) Press: **2** 0000 # to delete all user cards
- b.) Press: **2** read card # to delete individual user card
- c.) Press: **2** user identification number # to delete individual user card

### User Operation Mode KP41

There are 3 different options for user operation mode, card only, card and password, valid code.

The option used is common to all users.

- Press: **3** 00 # valid card only
- Press: **3** 01 # valid card and password
- Press: **3** 02 # valid card or password



## KP41 User Manuel

### Setting Door Relay Strike Time

The door relay output can be operated as either normally opened or normally closed, a maximum current of 10 ampere can pass through the relay if used as normally opened or 5 ampere if normally closed. The door relay time can be set from 0 seconds to a maximum of 99 seconds. The factory default setting is 6 seconds and can be changed through the keypad.

Press: **4** **new time from 00-99 seconds** **#**

### Setting Alarm Signal Output Time

Press: **5** **new time from 00-99 minutes** **#**

### Setting Door Open Detection

Press: **6 0 0 #** to disable this function (factory setting)

Press: **6 0 1 #** to enable this function.

In order for this feature to work, door contacts must be connected. There are 2 programming functions that work together in this mode.

- a.) If door not closed after opening, keypad buzzer sounds.
- b.) If door forced open, keypad buzzer sounds and sends alarm signal.

### Setting Security Arrangement KP41

There are two levels of keypad security available for KP41.

Press: **7 0 1 #** entered 4 wrong passwords in succession, the keypad is locked for 10 minutes.

Press: **7 0 2 #** entered 4 wrong passwords in succession, the keypad activates and alarm signal.

To disable this feature:

Press: **7 0 0 #** factory default setting.

### Setting Security Arrangement KP41

There are two levels of keypad security available for the KP41.

Press: **7 0 1 #** to read 10 invalid cards or valid cards, then enter 4 wrong passwords in succession, the keypad is locked for 10 minutes.

Press: **7 0 2 #** to read 10 invalid cards or valid cards, then enter 4 wrong passwords in succession, the keypad activates and alarm signal.

To disable this feature:

Press: **7 0 0 #** factory default setting.

## KP41 User Manuel

### Resetting To Factory Default Setting

To revert all settings to the factory default values then the Non Volatile Memory (Eeprom) must be reset.

Reset Non Volatile Memory by switching of the power and placing the jumper connector onto the pins 1 & 2 as per figure 2. After switching power on remove jumper, the KP41 will give a beep and is now reset to factory default values.

### Changing User Password Code KP41

Press: \* user password #  
user identification number # new password #  
re-enter new password #

### Changing User Password Code KP41

The factory default setting for each user password code 1234, this can be modified so that each user has a unique individual 4 digit code.

Press: \* read user card user password #  
new password # re-enter new password #

### Using Password Code to release the door

Press: user password #

### Using Password Code to release the door

Press: user password #

#### Technical Specification

DC Supply Voltage	:	Low voltage input 9-14Vdc unregulated
Current Consumption	:	100mA @ quiescent maximum
Door Relay	:	5Amp 12Vdc
Tamper Protection	:	Negative loop, normally closed
KP41	:	1 Master, 1000 cards and 1000 codes .
Keypad	:	12 keys, 1 bell push button, 3 LED status indicators
Card Types	:	EM or EM compatible
Card Frequency	:	125KHz
Induction Distance	:	5-15cm
Wiring Connections	:	Electric lock Remote door control Door open detection External door bell External Alarm