

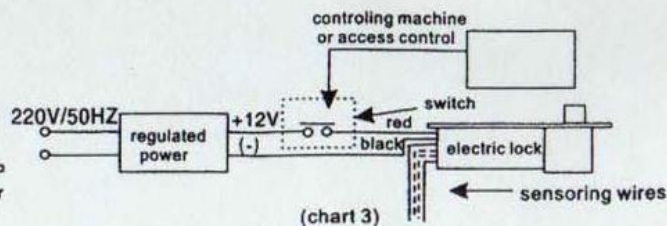
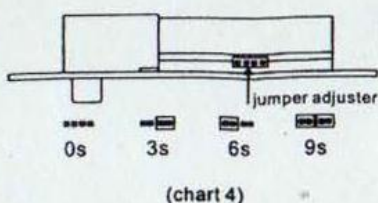
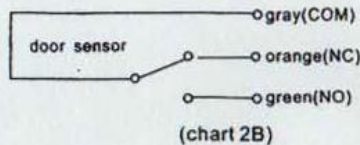
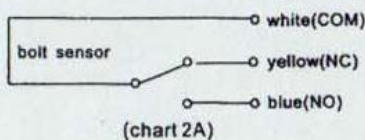
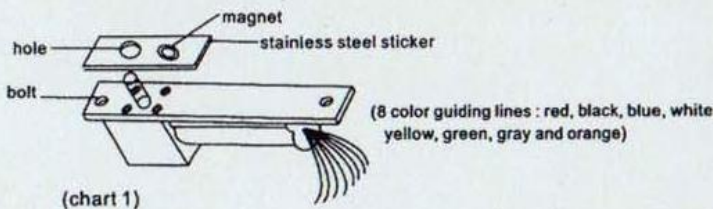
LB-238 Electric dropbolt instruction

I Function :

This kind of lock is fail-safe, and operates with DC12V. 4 working grades of time delaying circuit for using. You can choose any time delay to avoid the bolt throw out before the door closing. There are circuits for door and bolt sensor in the lock, which guiding out for sensing of the lock and the working status (chart 1).

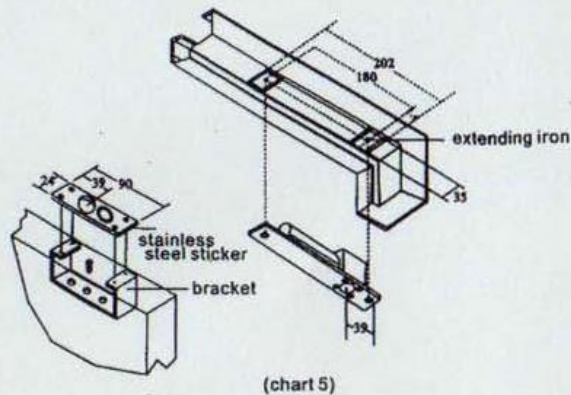
II Instruction :

- Please read this instruction carefully before using it, and check the accessories enough or not. Please make a test according to the circuit connection before installing.
- The lock were combined by two parts: (1) stainless steel sticker (2) body. The gap between the sticker and the front of lock should be less than 3mm, and the hole of the sticker must right to the bolt. The magnet must be set in the middle of the sticker.
- 8 lines in the rear of the lock for connection, such as red, black, blue, white, yellow, green, gray and orange (chart 1), red for power(+), connecting DC12V or power DC12V under controlled, black for power (-) (chart 3), blue white yellow for bolt sensor, blue for NO, white for COM, yellow for NC (chart 2A). The NC will be cut off if the bolt throw out. And, terminal of No goes through green, gray and orange for door sensor, check the door status is open or close, green for NO, gray for COM, orange for NC (chart 2B), the state of NO and NC
- Circuit connection (chart 3): the power for the lock must reach to DC12V.



LB-238 Electric dropbolt instruction

- e. The adjusting jumper for the time delay autolock sets in the middle of the lock (chart 4) and, the adjusting jumper can change the time for locking, 0s, 3s, 6s, 9s optional.
- f. Installation (chart 5).



III Specification :

Voltage: DC12V , 0.8AMP (with reverse polarity protection)

Red : positive(+)

Black: negative(-)

Current: start 0.8A , standby 0.09A

Solenoid : continuous duty

Fail-safe : all model

Auto relock jumper : adjustable(0~9s)

Fuction:fail-safe

Bolt : Dia. 15.5mm stainless steel out throw 15mm

Cutout: 212mmL×35mmW(43mm bracket minimum must be present)

Bracket: 90mmL×24mmW×3mmD

Accessory : extending bracket (2pcs)

stainless steel sticker (1 pcs) installing bracket (1 pcs)

M5 × 15MML screw(5pcs)

M4 × 11MML screw(8pcs)

M4 × 25MML screw(3pcs)

Weight: 0.9kg

IV Note :

- 1 Please keep it away from moist place and water when install or use the electric lock.
- 2 The voltage of power supply should be between DC 12V and DC 12.8V.