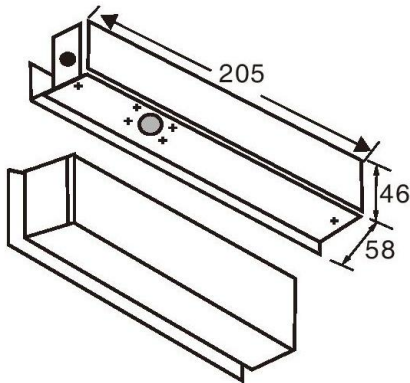


## BRACKET FOR ELECTRIC BOLT MODEL : LBK700

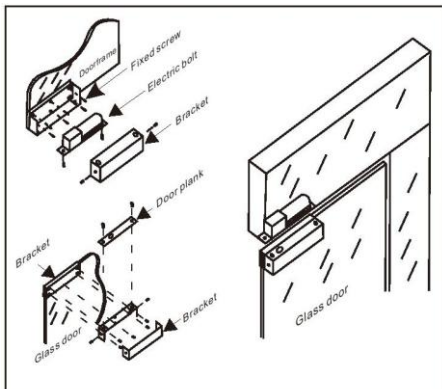
### SPECIFICATION

**SUITABLE FOR ELECTRIC BOLT**  
**FACE PLATE : 205L X 58WX 46H(MM)**  
**VOLTAGE : 12VDC**  
**OPERATION CURRENT : 950mA**  
**STAND BY CURRENT : 100mA**  
**FEATURE : FAIL-SAFE(NC)**

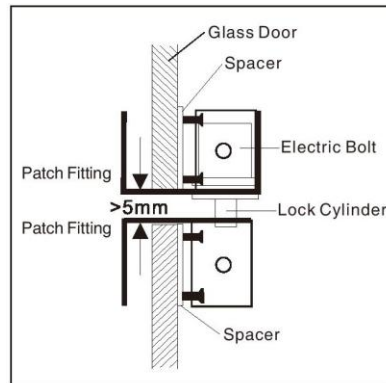
### DIMENSION



### INSTALLATION



**Bracket Installation Diagram**



**Bracket Section View**